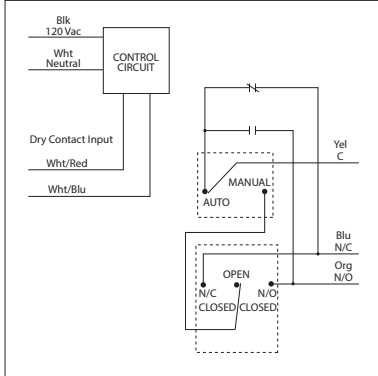


DRY CONTACT INPUT RELAYS

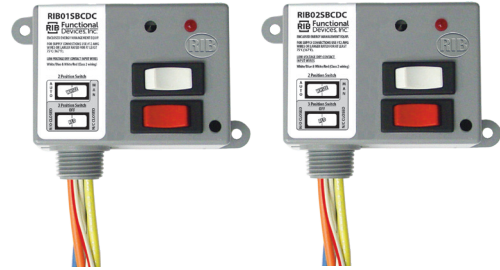
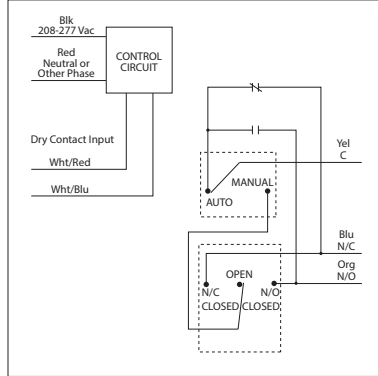
RIB01SBCDC

Dry Contact Relay, 20 Amp SPDT + Override, Class 2 Dry Contact Input, 120 Vac Power Input, NEMA 1 Housing



RIB02SBCDC

Dry Contact Relay, 20 Amp SPDT + Override, Class 2 Dry Contact Input, 208-277 Vac Power Input, NEMA 1 Housing



SPECIFICATIONS

Relays & Contact Type: One (1) SPDT Continuous Duty Coil
Expected Relay Life: 10 million cycles minimum mechanical
Operating Temperature: -30 to 140° F
Humidity Range: 5 to 95% (noncondensing)
Operate Time: 1.8 Seconds
Relay Status: LED On = Activated
Dimensions: 2.39"H x 3.31"W x 1.81"D with 0.50" NPT nipple
Housing Detail: See **Housing B** in housing guide for dimensions
Origin: Made of US and non-US parts
Wires: 16", 600V Rated
Approvals: UL Listed, UL916, C-UL, CE, RoHS
Housing Rating: UL Accepted for Use in Plenum, NEMA 1
Gold Flash: No
Override Switch: Yes (2)

Contact Ratings:
 20 Amp Resistive @ 277 Vac
 20 Amp Ballast @ 277 Vac
Not rated for Electronic Ballast
 10 Amp Tungsten @ 120 Vac
 770 VA Pilot Duty @ 120 Vac
 1,110 VA Pilot Duty @ 277 Vac
 2 HP @ 277 Vac
 1 HP @ 120 Vac

Power Input:
 42 mA @ 120 Vac (RIB01SBCDC)
 62 mA @ 208-277 Vac (RIB02SBCDC)

Notes:
 • **Dry Contact Input Operation:** Close White/Red wire to White/Blue wire to activate relay. If more than one dry contact RIB[®] shares a single dry contact input, White/Blue must be common.